

## **KY-ESS Series Single-Phase Inverter (3-8kW)**

### **Quick Installation Guide**

Jiangsu Koyoe Energy Technology Co.,Ltd

Add: Building 3, Industrial Zone C, No.588 Wutaishan Road, New District, Suzhou,  
Jiangsu P.R. China

Business Cooperation: [info@koyoe.com](mailto:info@koyoe.com)

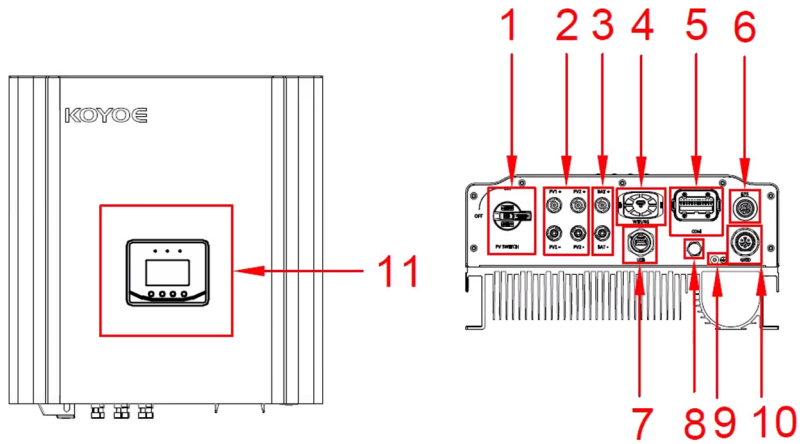
After Sales Service: [service@koyoe.com](mailto:service@koyoe.com)

Web: [www.koyoe.com](http://www.koyoe.com)

Global Support Hotline: +86 400-900-9536

# 1 System Installation

## 1.1 Introduction to Interface

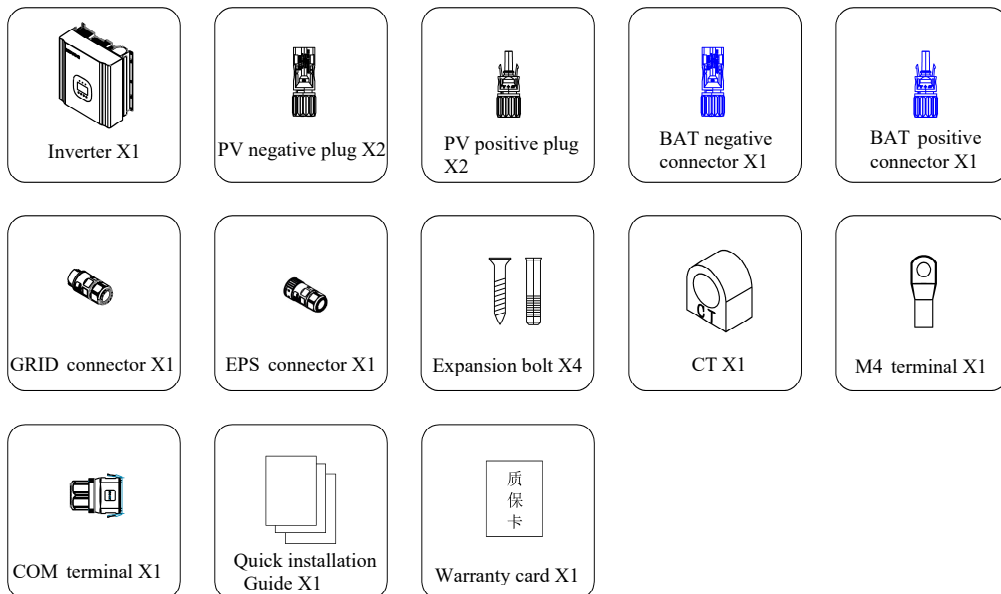


Introduction			
NO.	Interface	NO.	Interface
1	PV Switch	2	PV Interface
3	BAT Interface	4	WIFI/4G
5	COM Interface	6	EPS Interface
7	USB Interface	8	Relief Valve
9	Grounding Screw	10	GRID Interface
11	Display Panel		

## 1.2 Packing list

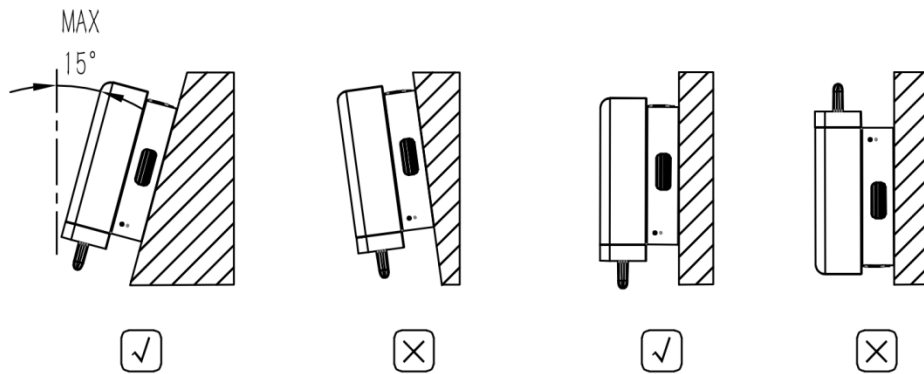
\* WIFI/4G module optional.

\*Packing list is for reference only, please refer to the actual packing list.



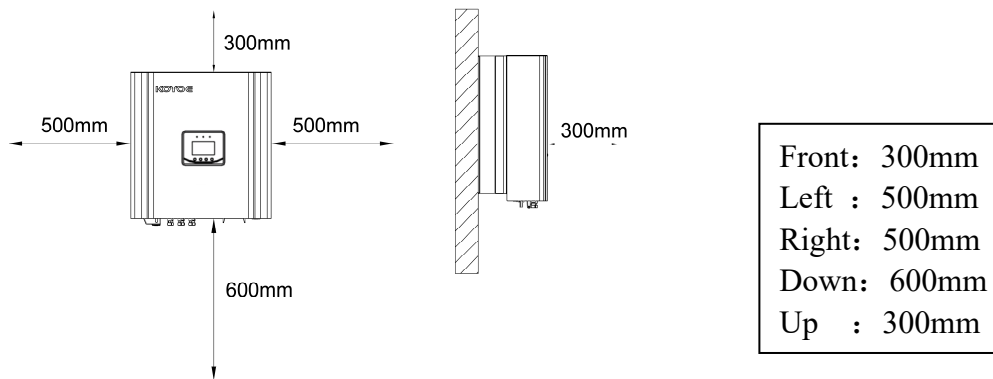
### 1.3 Install the Inverter

Correct device installation method

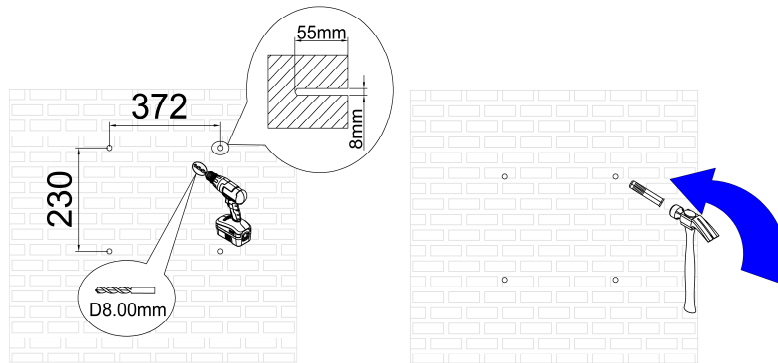


Install the inverter as follows

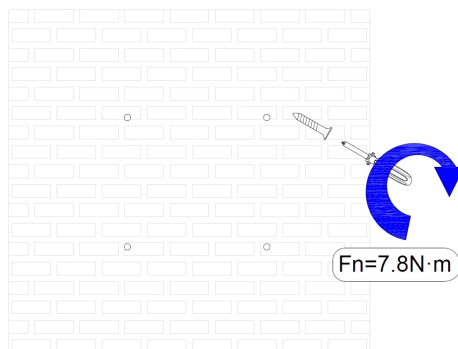
Step 1: Select the appropriate installation location



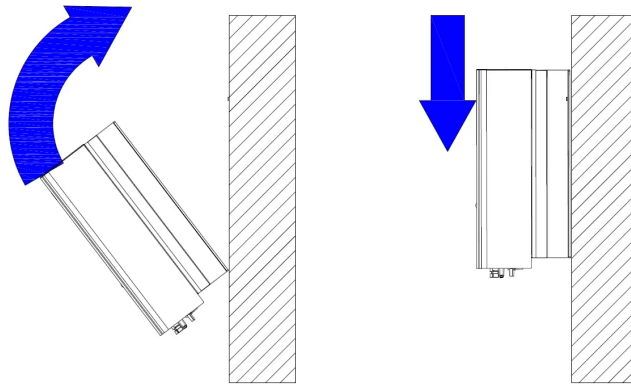
Step 2: Install expansion bolts



Step 3: Lock the expansion screw



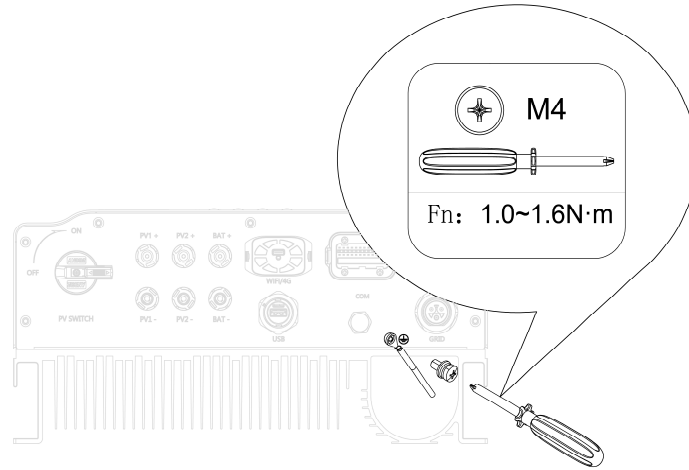
Step 4: Install the inverter



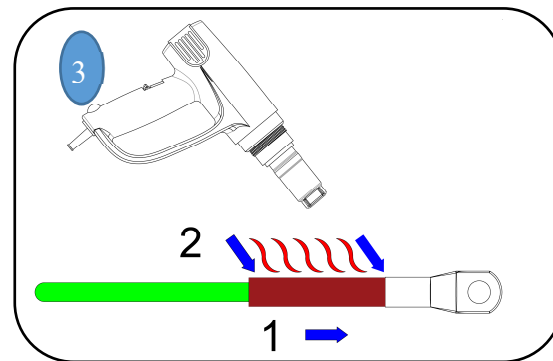
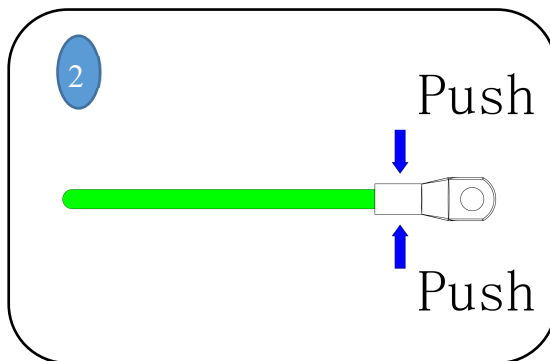
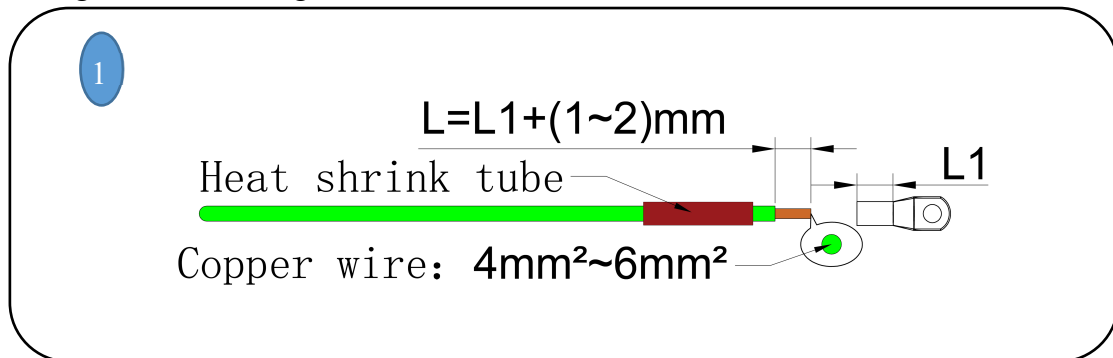
## 2 Electrical Installation

### 2.1 Ground side

Installation position of the grounding cable

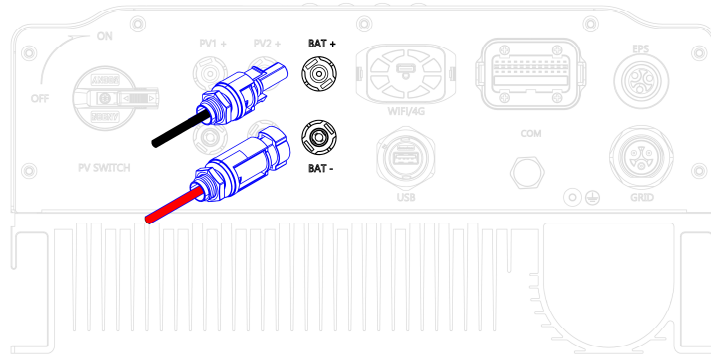


Wiring Harness Making

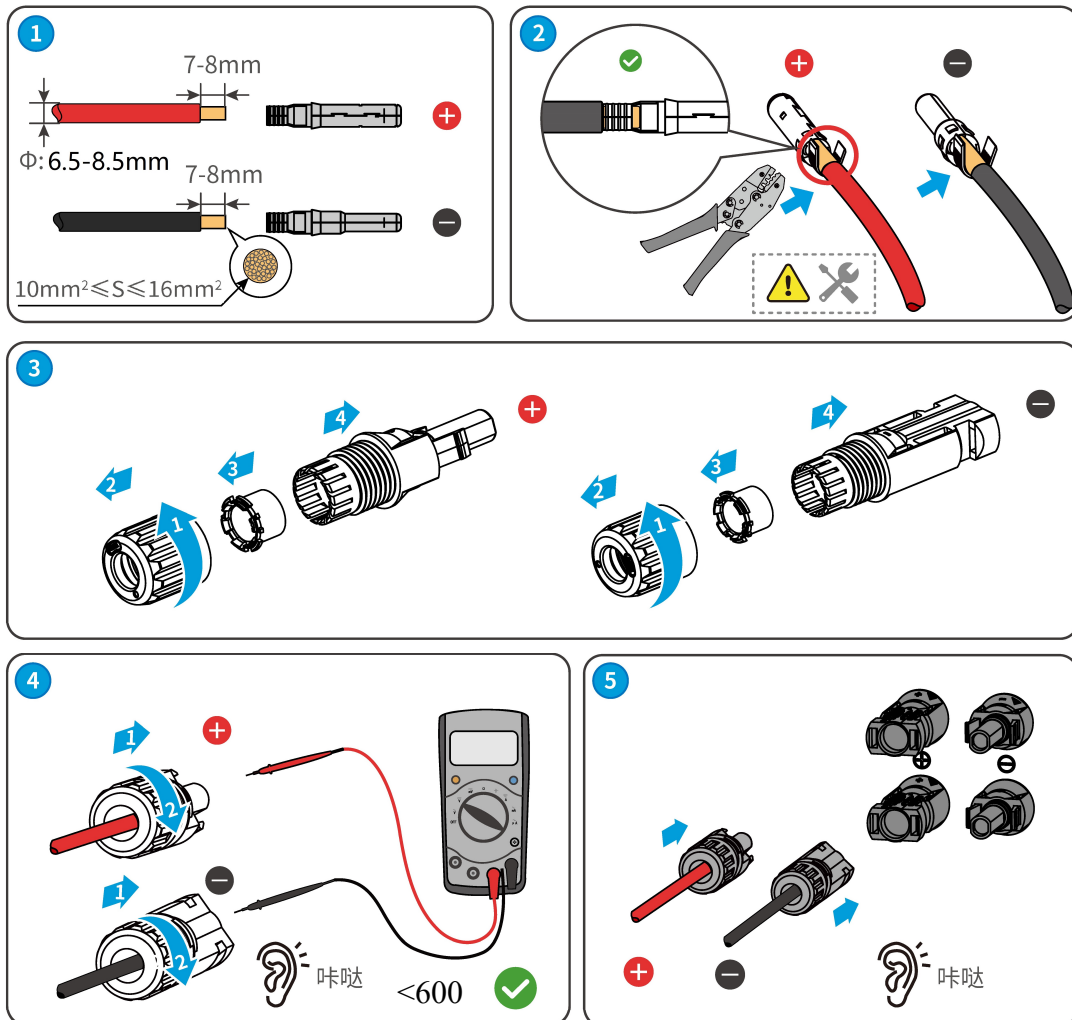


## 2.2 Battery side

### Installation position

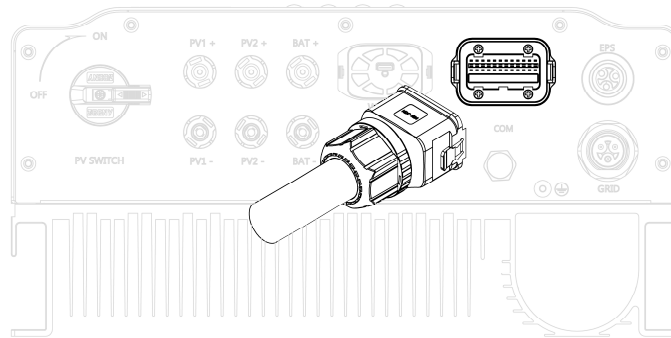


### Wiring Harness Making

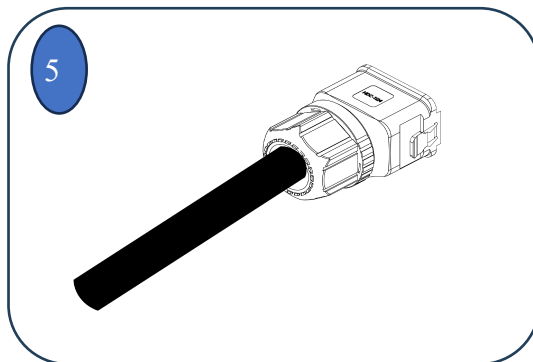
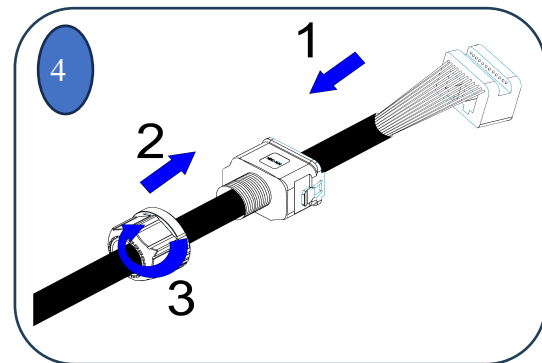
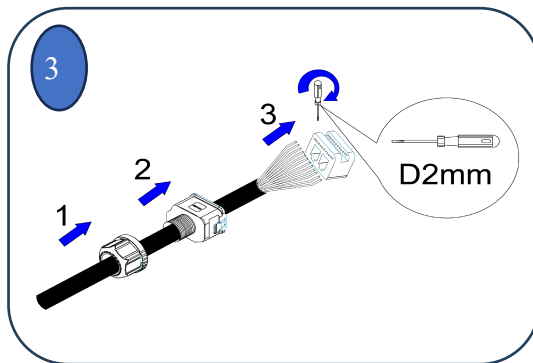
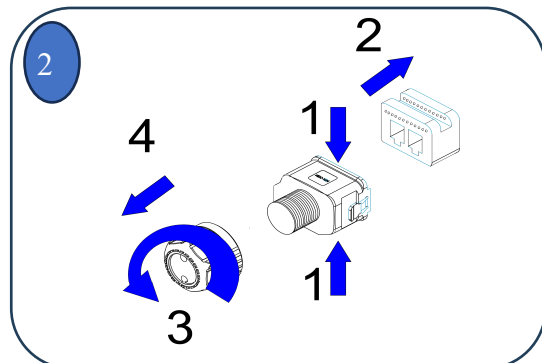
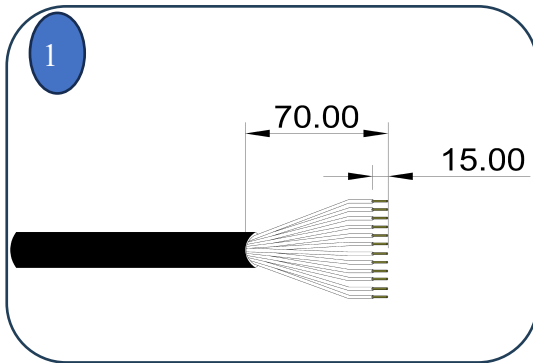


## 2.3 Communication side

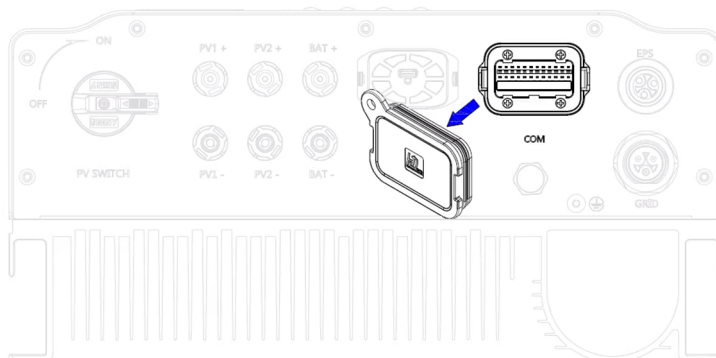
### Installation position



### Wiring Harness Making



Before installation, the cover plate needs to be removed as shown below



### Communication interface location and definition

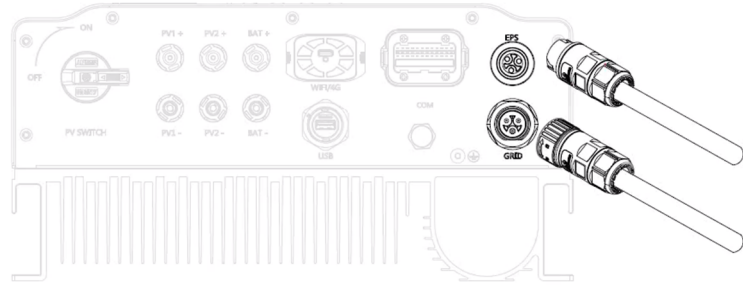
NO.	Description	NO.	Description				
1	METER 485B	11	D0+				
2	METER 485A	12	D0-				
3	GND	13	CT1+				
4	Para1_B	14	CT1-				
5	Para1_A	15	CT2+ Do not use				
6	Para2_B	16	CT2- Do not use				
7	Para2_A	17	CT3+ Do not use				
8	DI+	18	CT3- Do not use				
9	DI- dry contact	19	NTC				
10	NC	20	GND				
Left net port: CAN		Right net port: DRM					
PIN: Left — Right (PIN1—PIN2)		PIN: Left — Right (PIN1—PIN2)					
PIN1	NC	PIN2	NC	PIN1	DRM1/5	PIN2	DRM2/6
PIN3	NC	PIN4	CAN_H	PIN3	DRM3/7	PIN4	DRM4/8
PIN5	CAN_L	PIN6	NC	PIN5	GEN	PIN6	COM
PIN7	NC	PIN8	NC	PIN7	NC	PIN8	NC





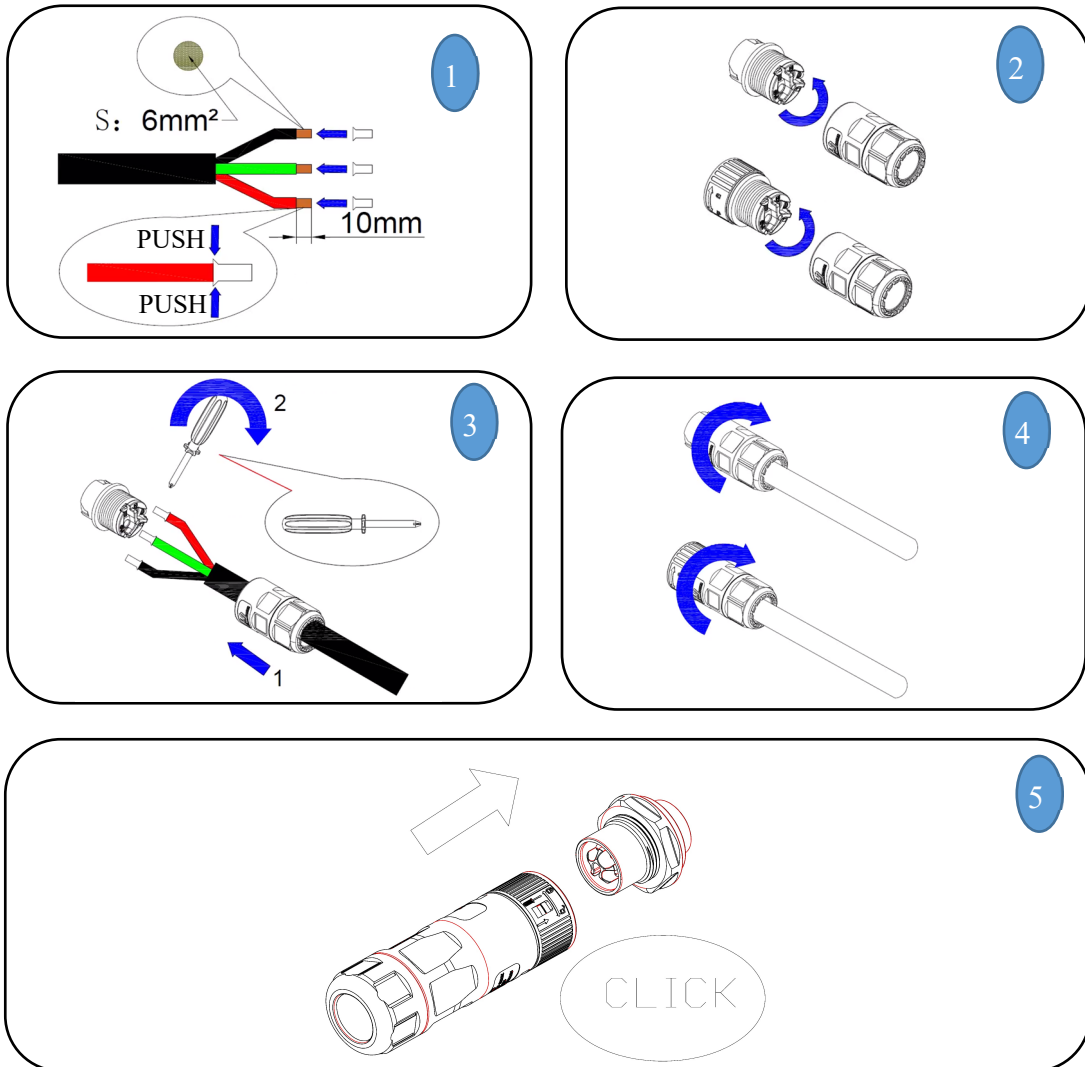
## 2.5 AC Side

### Installation position

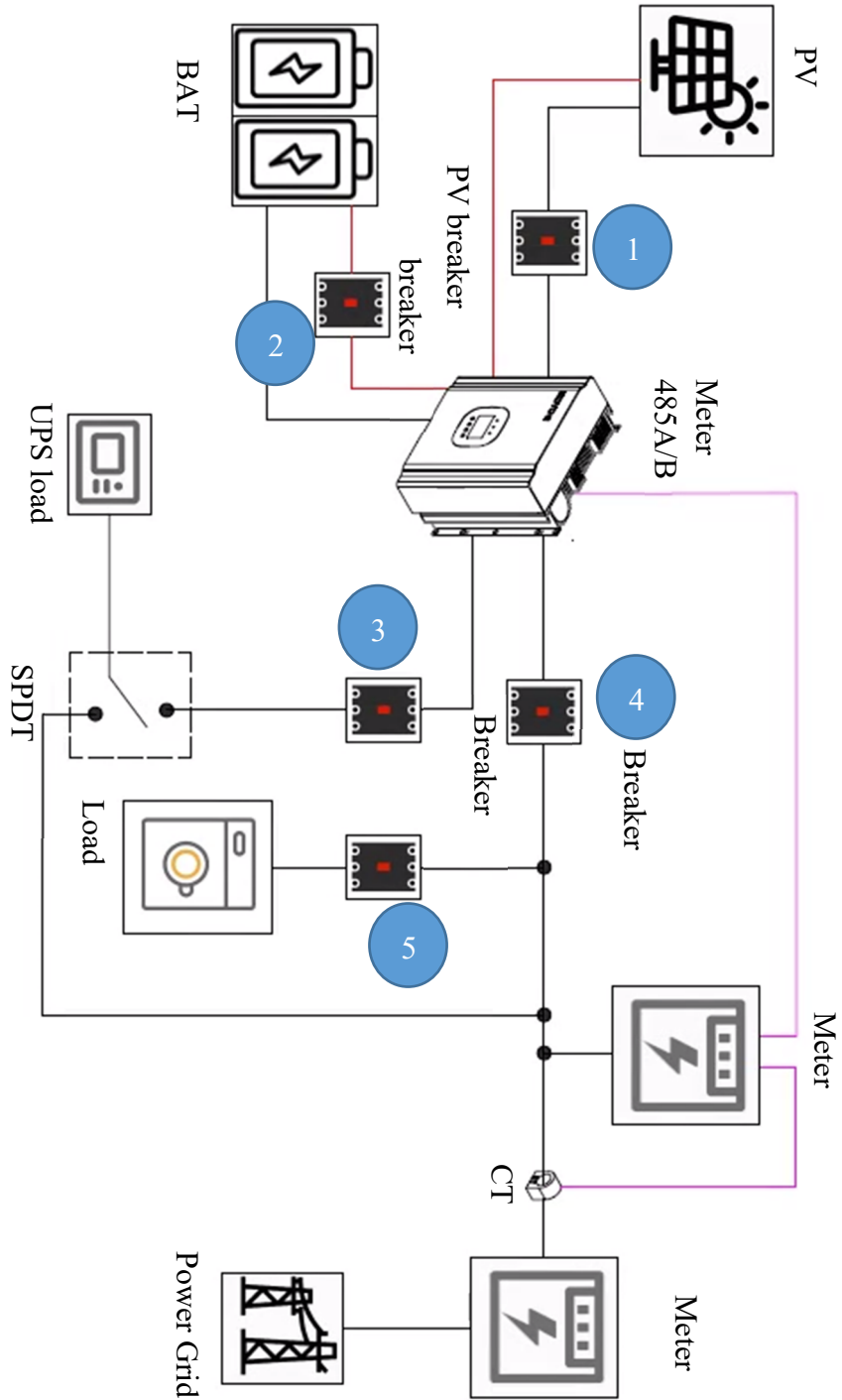


Terminal definition	Phase sequence	Harness color
L	L	Red
N	N	Black
PE	PE	Yellow-Green

### Wiring Harness Making



### 3 Power on the Device



Power-on :

Close off switches: 4—2—1—3

Power-off :

Disconnect switches: 3—4—1—2



For detailed instructions, please read the manual carefully. The latest manual can be obtained at <http://download.koyoe.com/>, or scan the QR code below.

